

DOXI VALVES

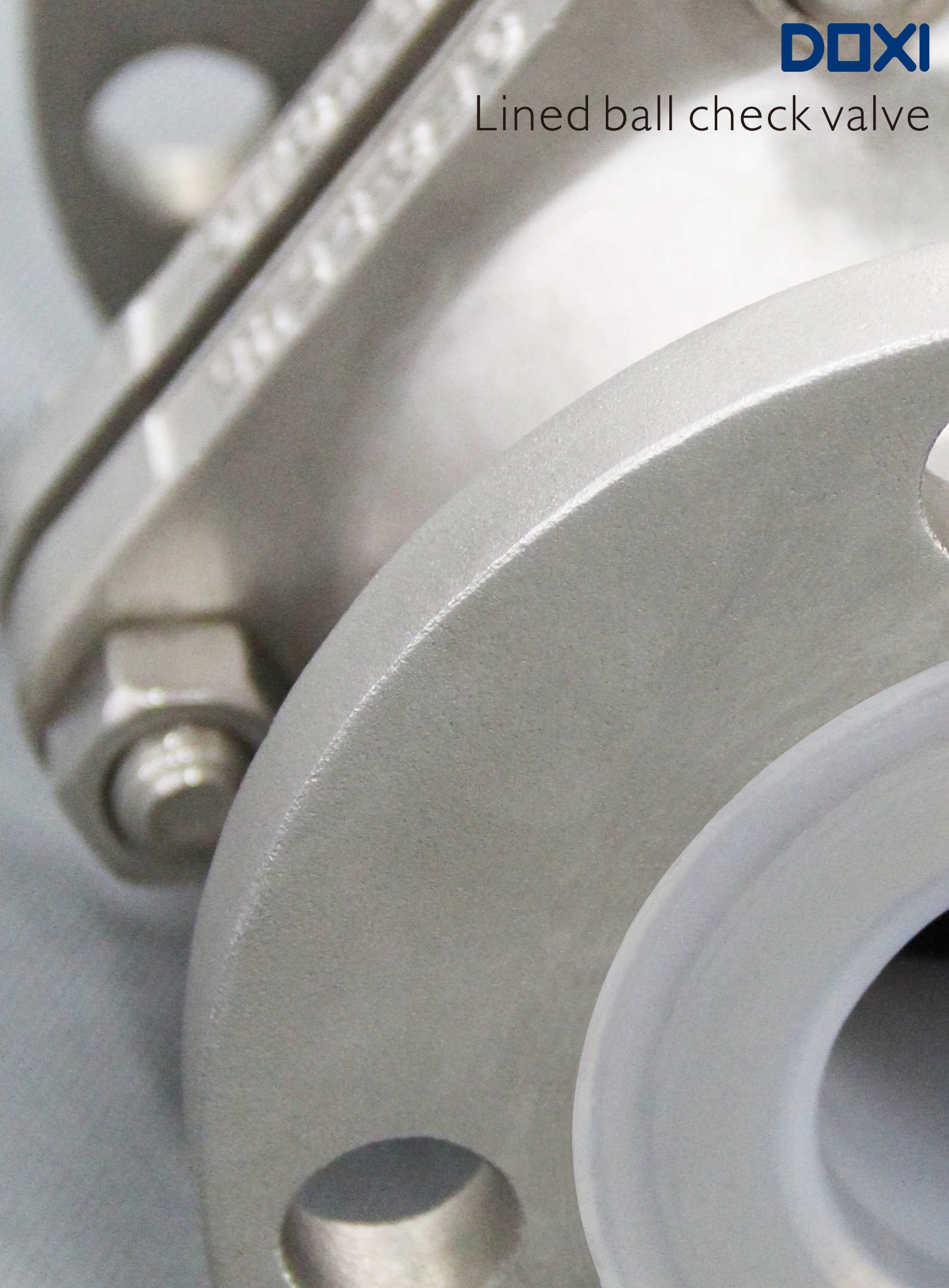
A MEMBER OF  XUANDA GROUP



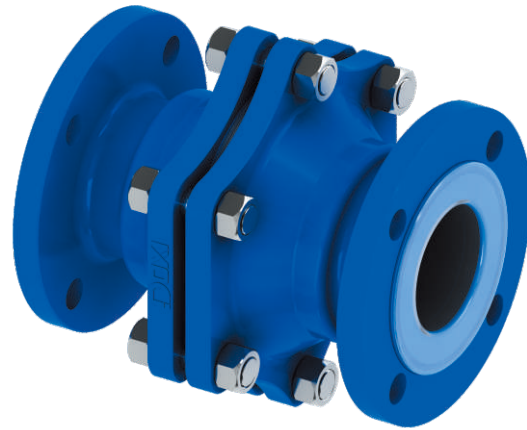
Ball Check Valve

DOXI

Lined ball check valve

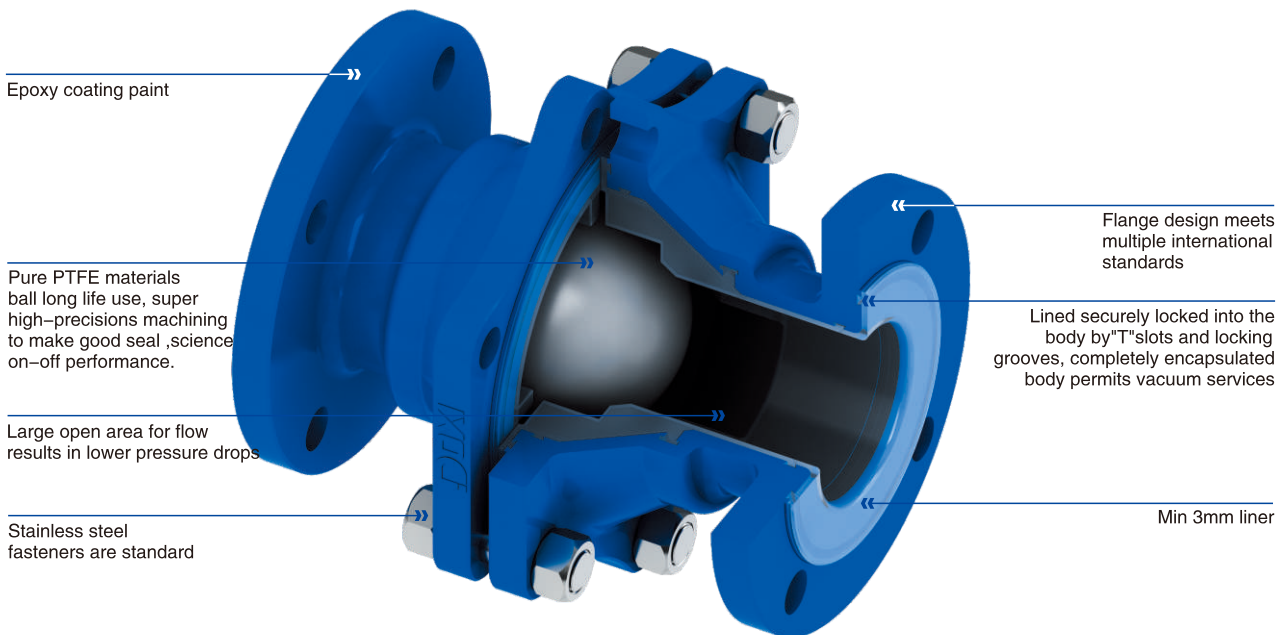


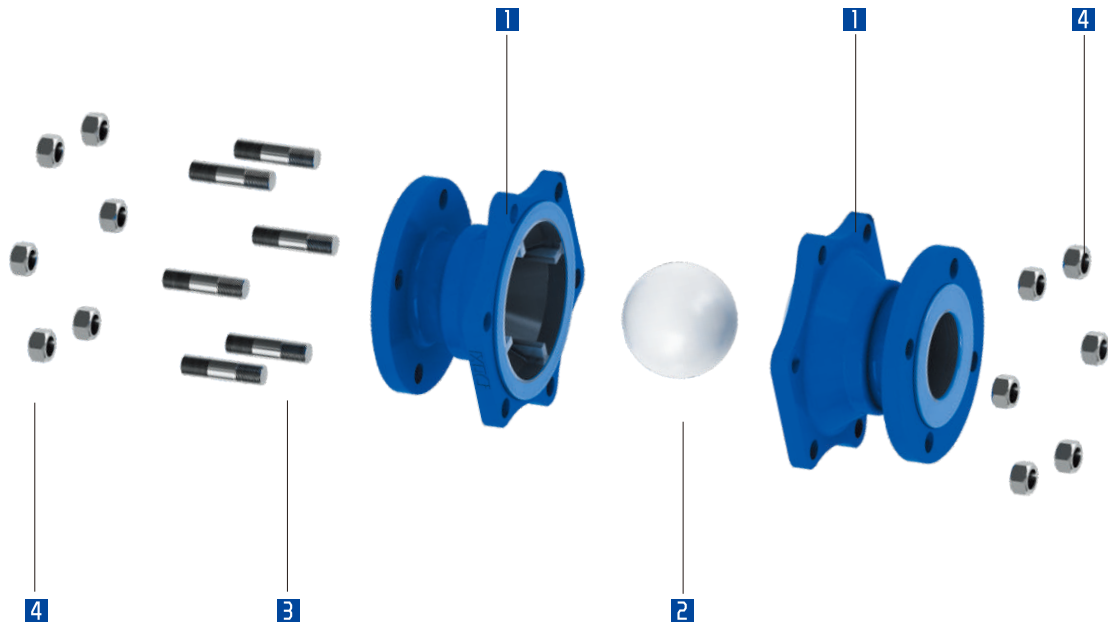
Size	15mm~200mm (0.5"~8")
Working pressure	0.1mbar~16 bar
Temperature range	-20° C ~ 200° C according to working conditions, other temperatures on request.
Design and Manufacture	API 594
Face to Face	ASME B16.10 DIN 3202 JIS B2002
Flange Ends	ASME B16.5 DIN 2532 JIS B2212
Visual Inspection	MSS Sp54
Testing	API 598 DIN 12569 JIS B2003
Pressure & Temperature	ASME B16.34
Spark testing	14kv



■ Lined ball check valve

The DOXI ball check valves are developed for use on fluids compatible with the corrosion resistant characteristics of virgin PFA. These valves can be used in horizontal and vertical installations. The body of the valve is made from a combination of ductile iron and steel. The body parts do not come into contact with the process flow.

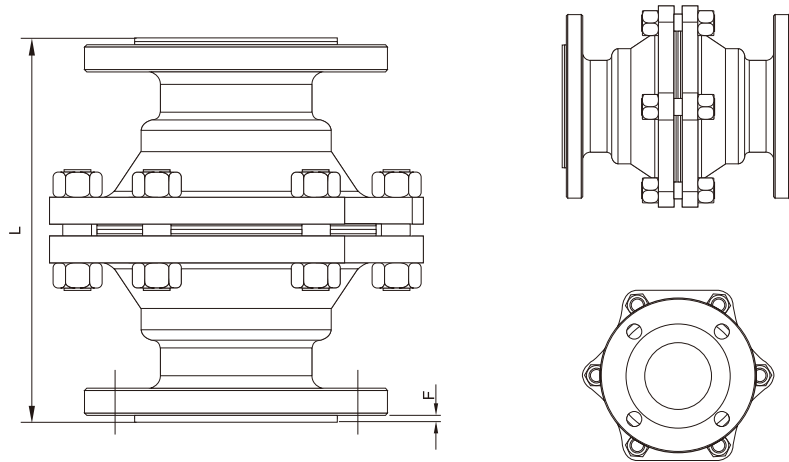




MATERIALS SELECTION

Materials According to Norms

No	Name	Qty.	Materials	Materials According to Norms		
				ASTM	JIS	DIN
1	BODY	2	Carbon Steel+PFA/FEP/ETFE	A216 WCB	G5151 SCPH2	GS-45(1.0446)
			Stainless Steel+PFA/FEP/ETFE	A351-CF8	G5121 SCS13A	G-X6CrNiMo1810
			Ductile Iron+PFA/FEP/ETFE	ASTM A395	FCD400	GGG-40 (0.7040)
2	BALL	1	PTFE	-	-	-
3	STUD BOLT	6	Low Alloy Steel	A193 B7	SNB7, SCM435	24CrMo5
4	HEX NUT	12	Carbon Steel	A194 2H	S45C	24CrMo5



* Unit: mm **DIMENSION**

DN	NPS	ASME B16.5		JIS B2212 10K		DIN2532 Pn10		Weight	CV
mm	in	L	f	L	f	L	f	[kg]	
15	½	140	3	140	3	140	3	3.5	11
20	¾	140	3	140	3	140	3	3.5	20
25	1	140	3	140	3	140	3	4	32
40	1½	178	3	178	3	178	3	7.5	90
50	2	203	4	203	4	203	4	10	140
80	3	241	4	241	4	241	4	18	375
100	4	292	4	292	4	292	4	30	610
150	6	356	4	356	4	356	4	56	1450

DOXI

Xuanda Industrial Group Doxi Valve Co., Ltd

Add: Xuanda Industrial Zone, Dong'ou Subdistrict,
Yongjia County, Zhejiang, China.

Tel: +86-577-67987058

Fax: +86-577-67987060

Email: justin@doxi-valve.com

www.doxi-valve.com

Xuanda Industrial Group DOXI Valve Co., Ltd. All right reserved. The contents hereof are confidential and proprietary to DOXI. Any unauthorized reproduction or disclosure, in whole or in part, is strictly prohibited. DOXI reserves the right to change these information without notice. DOXI does not accept any liability or damages from the use of information in this catalog. DOXI is registered trademark of Xuanda Industrial Group DOXI Valve Co., Ltd.